

MAXENCE
Seating Series
2024 Catalogue

apêx



Maxence

We wanted to find one word to describe Maxence, but couldn't choose between fantastic, beautiful, elegant, reliable, comfortable, ergonomic, desirable, sophisticated, etc. So we settled for "All of the Above". Having just one of these chairs in the office will cause endless of jealousy and arguments.

Maxence takes a serious approach to ensure individual comfort, to ensure individual comfort, support and personal expression. This slim and slender line from the elegant harmony of inspiring shape and translucent material opens up a new perspective of your space by casting a spell of modern design.





Model Range



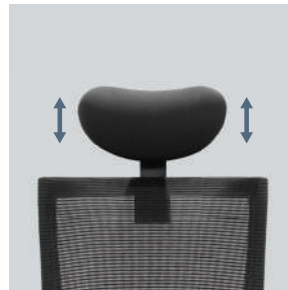
Features



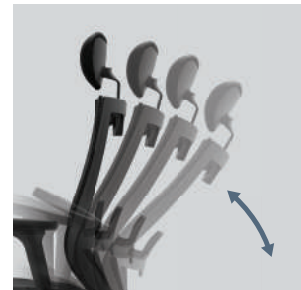
Adjustable 3D Armrest
Adjustable 3D armrest comes with PU pad for maximum comfort.



Aluminium Leg Base
Sleek aluminium die-cast leg base designed to withstand heavy loads of up to 300 pounds.



Adjustable Headrest
Adjustable headrest up to 230mm range.



Adjustable Seater
Dynamic adjustable 4 locking position backrest fitted with height and tension adjustment levers.

Mesh Colour



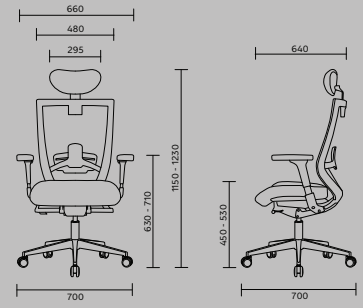
PU Leather Colour



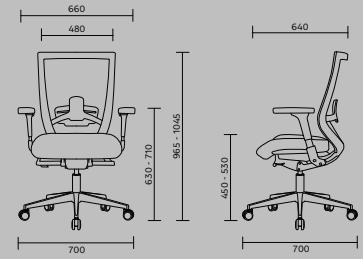
Fabric Colours



Maxence
Highback



Maxence
Lowback



APEX Office Furniture Exporter Sdn. Bhd. (591294-V)

728 & 730 Batu 4 ½ Jalan Ipoh,

51200 Kuala Lumpur,

Malaysia.

T +603-9779 7880

F +603-6251 7254

sales@apexof.com.my